

TP-502

Innovative design. It uses direct drive technology with German-made DC motors which ensures high reliability and durability of the machine. It's suitable for a wide range of general applications.



15F-1, NO. 17, SEC. 1, CHENGDE ROAD,
TAIPEI 103, TAIWAN
TEL: 886 2 2555 2515
FAX: 886 2 2555 2516
WEB: www.transpakcorp.com
E-mail: transpak@transpak.com.tw

Made in Taiwan

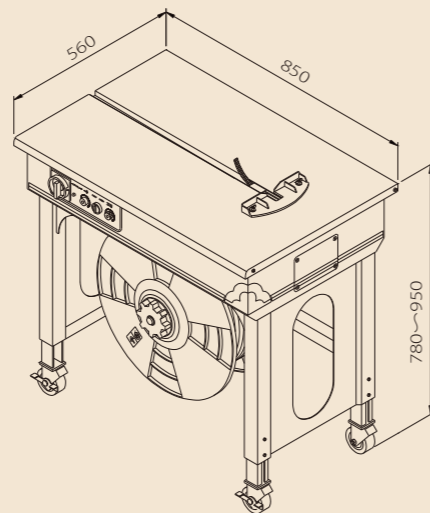
02.2017x2000

Main Features

- Compact Mechanical Strapping Head**
 With 30% less moving parts than conventional machines substantially reduces maintenance issues. There are no belts, chains, or pulleys. Extremely low noise sealing head.
- Electronic Tension Control**
 Adjustment for strap tension (8 - 45 kg) can be easily done on the front control panel.
- Jog Switch**
 Using the "Jog switch" to adjust the machine to exactly the correct position for maintenance.
- Adjustable Weld-Cooling Time**
 The weld cooling time can be increased to ensure high joint efficiency under high tension.
- Large Main Switch**
 The lockable CE rated main power switch increases the operation safety.
- Adjustable Table Height**
 The table height is adjustable to any height between 780 mm and 950 mm.

Option

- Safety switch under the table top



Technical Data

Strap Width 5 mm - 12 mm or 12 mm - 15.5 mm

Tension Range 8 - 45 kg

Net Weight 70 kg

Electrical Requirements
110V, 220V, 230V, 240V 50/60Hz 1PH



All specifications are subject to change without notice.

TP-202



These strapping machines are the most economical solution for manual operations. For low to medium volume strapping, our semi-auto strapping machine is definitely your best bet.

In this category, we have two product lines:

- Economy semi automatic PP strapping machines TP-202, TP-203, TP-202L
- New generation semi automatic PP strapping machine Genesis TP-502

SEMI-AUTO STRAPPING MACHINE

Economy Model

Mr. Reliable

TP-202

TP-202 is an affordable, portable, and compact semi-auto strapping machine. It is designed for general purposes and can meet various potential requirements. With tens of thousands of machines exported to the world every year, the quality of TP-202 is highly approved and that is why we call this machine Mr. Reliable.

Made in Taiwan with pride. The best sales in the world.



Main Features

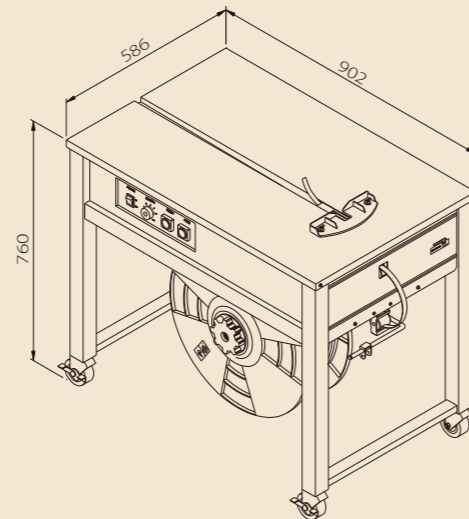
- High engineering standard and simple design



- Easy operation, simple maintenance
- Hinged stainless steel top plate
- Mechanical outside tension control
- Rigid castors with brake
- Energy efficient, motor only runs as needed
- Reliable P.C. Board control
- Affordable for every budget
- Offer maximum total value among competing brands
- Proven quality

Options

- Adjustable table height from 760 mm to 930 mm
- Safety switch under the table top
- Adjustable weld-cooling time (0-2 sec.)
- Stainless steel frame SUS 304 (TP-201CES)



Technical Data

Strap Width 6 mm - 15.5 mm

Tension Range 15 - 45 kg

Net Weight 85 kg

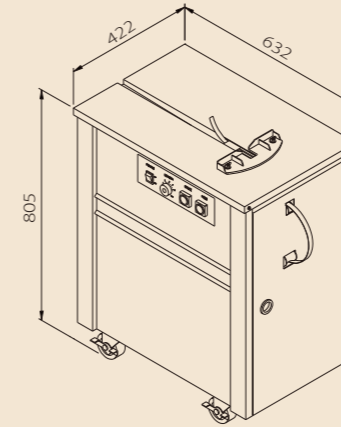
Electrical Requirements

110V, 220V, 230V, 240V 50/60Hz 1PH

TP-203

Mini-type model

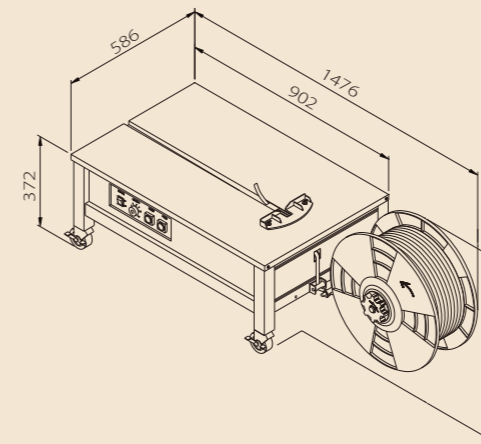
- Designed specifically for the use in office, bank, post office, book and department store, etc.
- Equipped with **Smoke exhaust system**
- Other features are the same as TP-202



TP-202L

Low-table model

- Designed to accommodate bulky or heavy packages
- Other features are the same as TP-202



Options

- Safety switch under the table top
- Adjustable weld-cooling time (0-2 sec.)

Technical Data

Strap Width 6 mm - 15.5 mm

Tension Range TP-203: 9 - 30 kg
TP-202L: 15 - 45 kg

Net Weight 80 kg

Electrical Requirements

110V, 220V, 230V, 240V 50/60Hz 1PH

